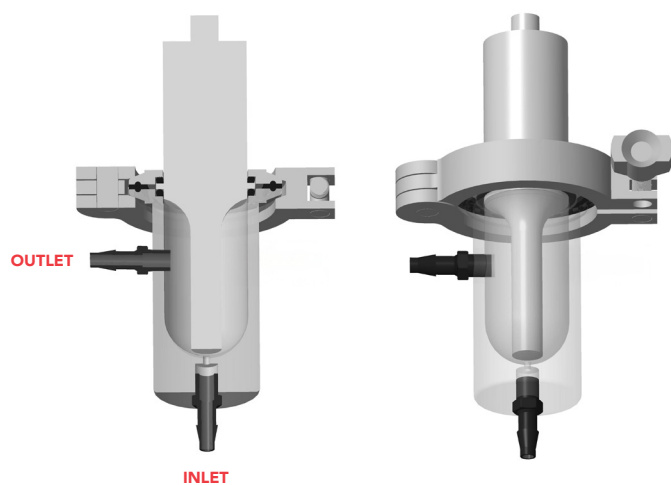




MEDIUM VOLUME CONTINUOUS FLOW CELL

The flow cell enables continuous processing of 1L or greater volumes. The process fluid enters through the inlet at the bottom of the unit. As it passes through the cavitation field, it is ultrasonically processed. The fluid exits the unit through an outlet port. The intensity and extent of processing are controlled by adjusting both the flow rate and amplitude setting.

A ½" (13mm) solid tip flow cell probe is included and the volume of liquid inside the chamber with the probe installed is 65 ml. A variable speed pump is recommended but not included.



FLOW CELL ASSEMBLY

REPLACEMENT PROBE



PART NO.
630-0651



PART NO.
630-0644

FLOW CELL SPECIFICATION

Height: 9.1" (231mm)
Diameter: 3.5" (89mm)
Max flow rate: 0.5L/min.

Material: 316L stainless steel
Internal volume w/probe: 65 mL
Product/Coolant Connectors: hose barbs for ¼" ID tubing